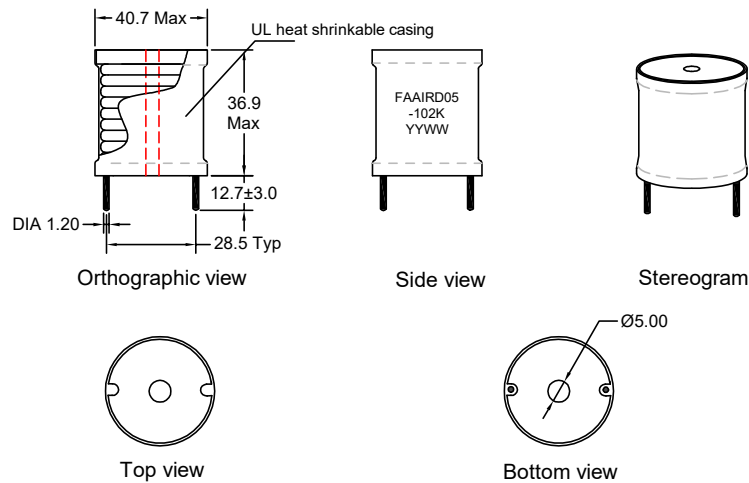


P/N: FAAIRD05-102K



Outline Dimensions(Unit:mm)



REMARK:
1. Products need thermal shrinkable sleeve.

Electrical Schematic



Electrical Characteristics(@25°C)

| Inductance 1KHz,0.1V S-F | DC Resistor | Rated Current |
|--------------------------------|-------------|---------------|
| 1000uH±10% | 0.176Ω Max | 7.20A |

***Operating Temperature: -40°C~+125°C.
(Temperature rise included)
***Storage Temperature : -40°C~+125°C.
***Storage Humidity:RH10%~70%.

Material list

| Part Name | SPEC | Material Type | Supplier | UL Number |
|-------------|------------------|---------------|---|-----------|
| Core | DRH 35*35 (B=21) | NiZn | Huzhou Shuanglin Shitong magnetic factory | N/A |
| Copper Wire | 1UEW-F | 155°C | Elektrisola Hangzhou Co Ltd | E258243 |
| Tube | RSFR-H/600V | 125°C | ShenZhen Woer Heat-shrinkable Material Co Ltd | E203950 |

Recommended Soldering Temperature Graph.



| | Standard Profile | Standard Profile |
|------------------|---------------------|---------------------|
| Pre-heating | 150~180°C,90s±30s | |
| Heating | above 220°C,30s-60s | above 240°C,30s Max |
| Peak temperature | 245°C±3°C | 260°C,10s |
| Cycle of reflow | 2 times | |

| | | | | | | | | |
|-----|-------------|------|------|---|---|---|---|--|
| REV | DESCRIPTION | APPD | DATE | Tianchang Fuan Electronic Co Ltd www.fuantronics.net TEL: +86-550-7814888 FAX: +86-550-7831133 | Tolerances unless otherwise specified: (.X)±0.50 (.XX)±0.25 Unit of measurement: mm | Make: Qiumei.Liu Checked: Beson. zhan Approved: Anson. zhan | DRAWING TITLE AIRD05 RADIAL HIGH CURRENT POWR CHOKE Material Number: A33RD05XS330 | Customer Name: Document/Rev: 00 Specification Sheet: 1 of 1 Date of Recognition: Mar./16/2020 |
|-----|-------------|------|------|---|---|---|---|--|